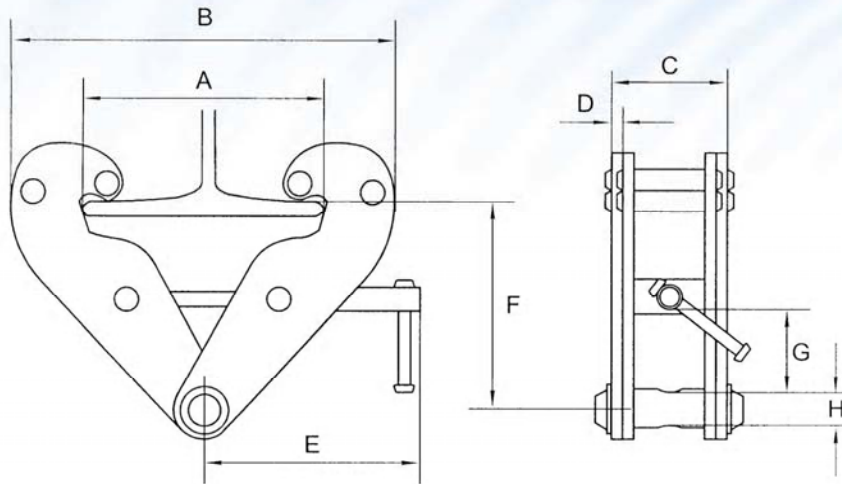


1-10 TON

# BEAM CLAMP



MODEL	Safety Working Load (Lbs)	Adjustable Beam Width (in)	A max (in)	B		C (in)	D (in)	E (in)	F		G (in)	H (in)	N.W. (Lbs)
				min (in)	max (in)				min (in)	max (in)			
BC-100	2,200	3.0~8.5	10.24	7.09	14.17	2.52	0.20	8.46	4.02	6.10	0.98	0.87	10
BC-200	4,400	3.0~8.5	10.24	7.09	14.17	2.91	0.24	8.46	4.02	6.10	0.98	0.87	11
BC-300	6,600	3.0~12.5	13.94	9.25	19.29	4.06	0.32	10.24	5.51	8.86	1.77	0.94	21
BC-500	11,000	3.0~12.5	13.94	9.25	19.29	4.33	0.39	10.24	5.51	8.86	1.77	1.10	24
BC-1000	22,000	3.5~12.5	14.37	12.6	19.88	4.72	0.47	11.02	6.69	9.25	1.97	1.57	35



GRAND ASIA MACHINERY INDUSTRY (KUNSHAN) CO., LTD. ◦  
 No. 4 Jin Yang Rd, Eastern Industry Zone, Kanshan City Jiangsu Province, China  
 Tel: +86-512-57672666~9 Fax: +86-512-57672999  
 Website: www.grandasia.cn E-mail: enquiry@grandasia.cn