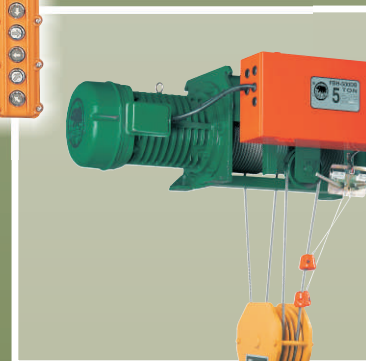
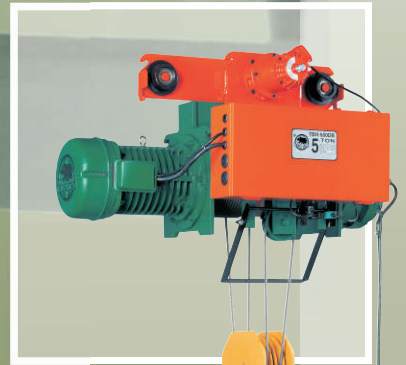




# ELECTRIC WIRE ROPE HOIST



## DC Brake

New design of DC brake electromagnetic motor disc system works precisely and synchronously with motors, and with a rectifier for trouble free.

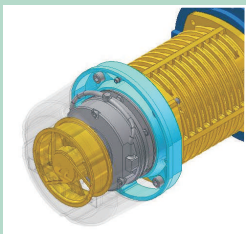


### DC BRAKE

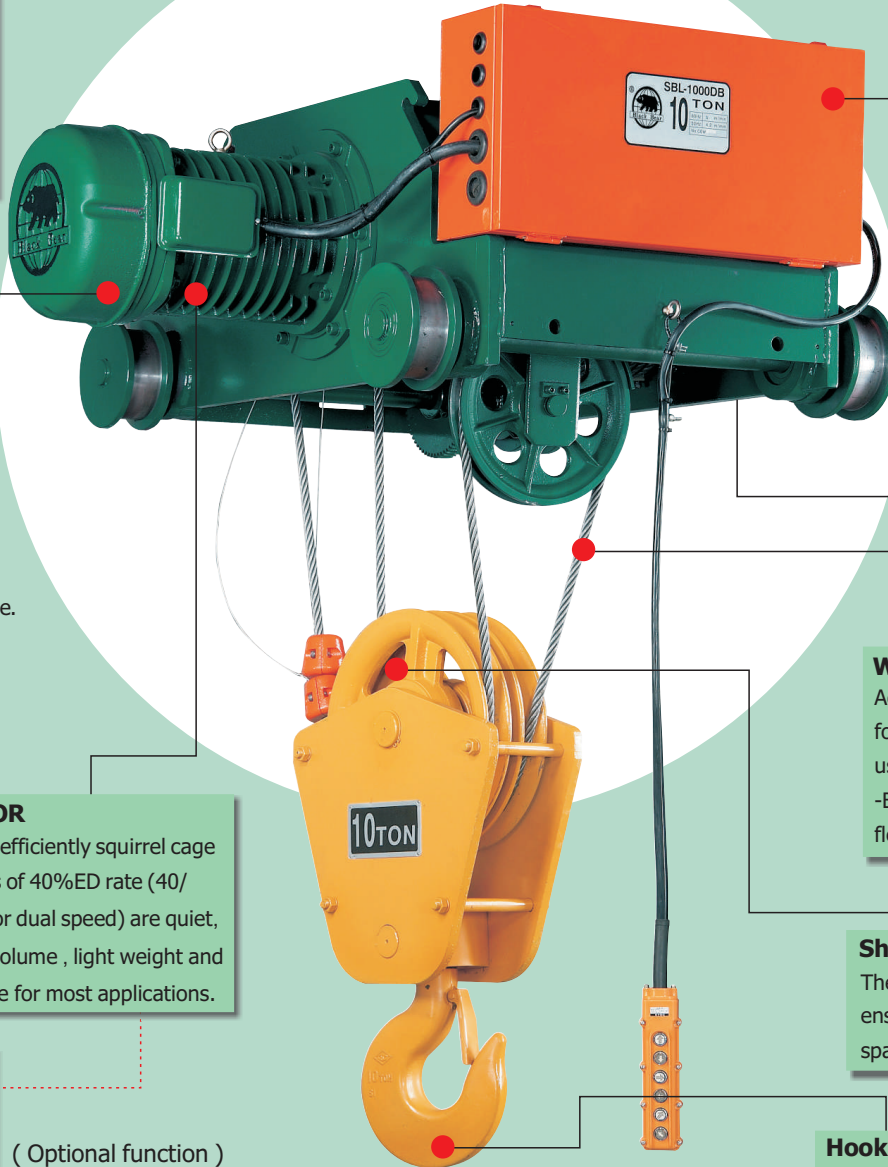
1. Take on German supplier, Lenze.
2. Durable wear-resisting.
3. Rapid reaction with low noise.
4. Installation convenient as an integral design.

## MOTOR

Highly efficiently squirrel cage motors of 40%ED rate (40/20% for dual speed) are quiet, small volume, light weight and suitable for most applications.



( Optional function )  
A 60%ED rate motor with cooling fan is available for heavy duty condition.



## Control box

IP-20 control box is applied; Higher IP degree is available upon request.

## Gear box

Hoist reduction gear system are made of alloy steel with surface harden treatment for long lasting life span.

## Wire rope

According to JIS no.6 standard for wire rope applications, we use 6x37-A and IWRC 6xFi (29)-B wire rope which features flexible and long life span.

## Sheave

The proper diameter of sheave ensures the operation and life span of wire rope.

## Hook

Hot forged hooks with thrust bearing are enable to be swiveled 360°

## PRODUCT CODE

**T**

Model

T : MONORAIL TROLLEY  
S : SADDLE TROLLEY  
F : FOOTMOUNT

**B**

Gear box

P : 2.2kw x 4P  
K : 3kw x 4P  
G : 5kw x 4P  
B : 7.5~11kw x 4P  
CA : 11~13kw x 4P  
EA : 13kw x 4P  
FA : 18.5kw x 4P

**H**

Reeving/Falling

N:1/1 H:2/4  
M:1/2 I:2/6  
L:1/4 J:2/8  
P:1/6 K:2/10

**D**

Blank:single speed

D : Only hoist dual speed  
D1 : Only trolley dual speed  
D2 : Both hoist & trolley dual speed

-

**500**

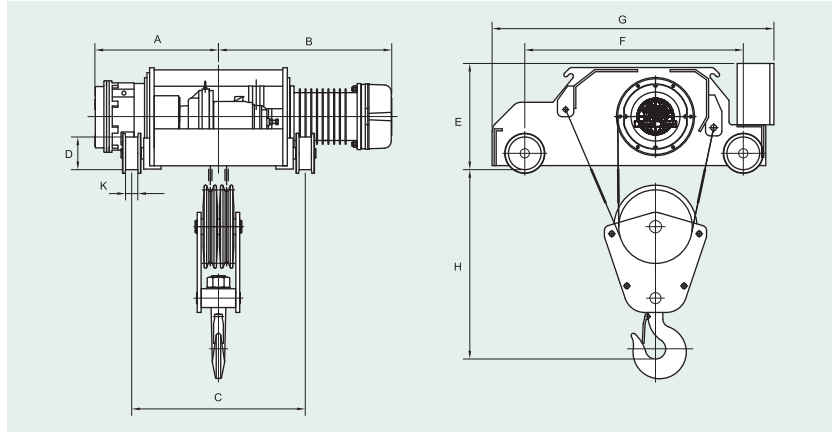
S.W.L.

100 : 1ton  
200 : 2ton  
300 : 3ton  
500 : 5ton  
750 : 7.5ton  
1000 : 10ton  
1500 : 15ton  
2000 : 20ton  
3000 : 30ton

**DB**

DC BRAKE

# SB.SC.SE SERIES



## SPECIFICATIONS & DIMENSIONS :

Model	Capacity (ton)	Lift (m)	Hoisting				Traversing				Wire Rope		Approximate Dimension (mm)										Approximate Weight (kg)			
			Speed(m/min) 60Hz	50Hz	Motor kw/pole	ED %	Speed(m/min) 60Hz	50Hz	Motor kw/pole	ED %	mm	R/F	H	A	B		C	D	E		F	G		K		
SBH-500DB	5	6	7.3	6.1	7.5 4P	40	40/20	21	18	0.75/0.25 4/12P	40	40/20	φ10	2/4	750	553	812	865	850	150	545	545	690	988	45	680
		9	603	862	865											850	690									
		12	743	1002	1005											1150	720									
SBHD-500DB	5	6	7.3/2.4	6.1/2.0	7.5/2.5 4/12P	40	40/20	21/7	18/6	0.75/0.25 4/12P	40	40/20	φ10	2/4	750	553	812	865	850	150	545	545	690	988	45	680
		9	603	862	865											850	690									
		12	743	1002	1005											1150	720									
SBH-750DB	7.5	6	7.3	6.1	11 4P	40	40/20	20	17	1.1 4P	40	40/20	φ14	2/4	1050	608	867	929	850	160	550	550	790	1095	60	880
		9	608	867	929											850	880									
		12	743	1002	1064											1150	1050									
SBHD-750DB	7.5	6	7.3/2.4	6.1/2.0	11/3.7 4/12P	40	40/20	20/6	17/6	1.1/0.37 4/12P	40	40/20	φ14	2/4	1050	608	867	929	850	160	550	550	790	1095	60	880
		9	608	867	929											850	880									
		12	743	1002	1064											1150	1050									
SBL-1000DB	10	6	5.0	4.2	11 4P	40	40/20	15	13	1.1 4P	40	40/20	φ16	1/4	1450	673	917	979	1150	160	570	570	970	1280	60	1100
		9	673	917	979											1150	1100									
		12	833	1092	1154											1300	1230									
SBLD-1000DB	10	6	5.0/1.7	4.2/1.4	11/3.7 4/12P	40	40/20	15/5	13/4	1.1/0.37 4/12P	40	40/20	φ16	1/4	1450	673	917	979	1150	160	570	570	970	1280	60	1100
		9	673	917	979											1150	1100									
		12	833	1092	1154											1300	1230									
SCAH-1000DB	10	6	5.1	4.3	11 4P	40	40/20	17	14	1.1 4P	40	40/20	φ16	2/4	1500	702	849	911	850	180	580	580	920	1250	60	1290
		9	702	849	911											850	1290									
		12	877	1024	1086											1300	1430									
SCAHD-1000DB	10	6	5.1/1.7	4.3/1.4	11/3.7 4/12P	40	40/20	17/6	14/5	1.1/0.37 4/12P	40	40/20	φ16	2/4	1500	702	849	911	850	180	580	580	920	1250	60	1290
		9	702	849	911											850	1290									
		12	877	1024	1086											1300	1430									
SEAL-1500DB	15	8	4.4	3.7	13 4P	40	40/20	18	15	1.5 4P	40	40/20	φ20	1/4	1500	690	909	969	1150	200	715	715	1160	1500	60	1550
		9	690	909	969											1150	1550									
		10	735	955	1014											1150	1765									
SEALD-1500DB	15	8	4.4/1.5	3.7/1.2	13/4.3 4/12P	40	40/20	18/6	15/5	1.5/0.5 4/12P	40	40/20	φ20	1/4	1500	690	909	969	1150	200	715	715	1160	1500	60	1550
		9	690	909	969											1150	1550									
		10	735	955	1014											1150	1765									
SCAL-2000DB	20	8	3.2	2.7	13 4P	40	40/20	18	15	1.5 4P	40	40/20	φ20	1/4	1700	760	909	969	1150	200	715	715	1160	1500	60	1950
		9	760	909	969											1150	1950									
		12	806	955	1015											1150	2080									
SCALD-2000DB	20	8	3.2/1.1	2.7/0.9	13/4.3 4/12P	40	40/20	18/6	15/5	1.5/0.5 4/12P	40	40/20	φ20	1/4	1700	760	909	969	1150	200	715	715	1160	1500	60	1950
		9	760	909	969											1150	1950									
		12	806	955	1015											1150	2080									

1.R/F=Reeving/falling numbers.

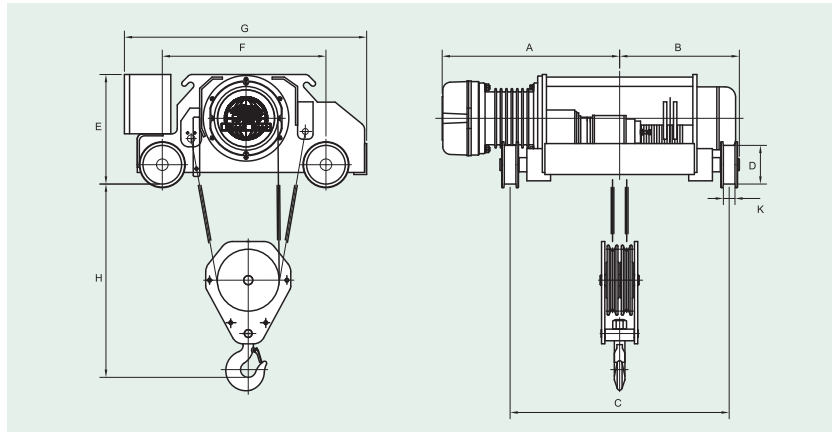
2.Dual speed model under green shadow.

4.Traversing motor standard supply, 50 Hz or 60Hz all used 4 pole, or please specify.

3.Traversing pinion 5 ton M3.5x23t, 7.5 ton M3.5x20t, 10-20 ton M3.5x23t.

5.Traversing motor: used reducing gear motor.

# SK.SG SERIES



## SPECIFICATION & DIMENSIONS :

Model	Capacity (ton)	Lift (m)	Hoisting				Traversing				Wire Rope		Approximate Dimension (mm)										Approximate Weight (kg)			
			Speed(m/min) 60Hz	50Hz	Motor kw/pole	ED %	Speed(m/min) 60Hz	50Hz	Motor kw/pole	ED %	mm	R/F	H	A	B		C	D	E		F	G		K		
SKM-200DB	2	6	8	6.7	3 4P	40	40/20	20	17	0.25 4P	40	40/20	φ10	1/2	600	639	679	401	600	120	390	460	615	923	40	420
		9	639	679	401											600	440									
		12	692	732	462											850	450									
SKMD-200DB	2	6	8/2.7	6.7/2.2	3/1 4/12P	40	40/20	20/6	17/6	0.25/0.08 4/12P	40	40/20	φ10	1/2	600	639	679	401	600	120	390	460	615	923	40	440
		9	639	679	401											600	450									
		12	692	732	462											850	450									
SKH-200DB	2	6	8	6.7	3 4P	40	40/20	20	17	0.25 4P	40	40/20	φ8	2/4	600	661	701	462	850	120	390	460	615	923	40	470
		9	661	701	462											850	470									
		12	748	788	509											850	490									
SKHD-200DB	2	6	8/2.7	6.7/2.2	3/1 4/12P	40	40/20	20/6	17/6	0.25/0.08 4/12P	40	40/20	φ8	2/4	600	661	701	462	850	120	390	460	615	923	40	470
		9	661	701	462											850	490									
		12	748	788	509											850	490									
SKL-300DB	3	6	4.4	3.7	3 4P	40	40/20	21	18	0.4 4P	40	40/20	φ10	1/4	750	689	729	465	850	150	425	495	635	940	45	500
		9	689	729	465											850	530									
		12	761	801	523											850	560									
SKLD-300DB	3	6	4.4/1.5	3.7/1.2	3/1 4/12P	40	40/20	21/7	18/6	0.4/0.13 4/12P	40	40/20	φ10	1/4	750	689	729	465	850	150	425	495	635	940	45	500
		9	689	729	465											850	530									
		12	761	801	523											850	560									
SGM-300DB	3	6	8	6.7	5 4P	40	40/20	21	18	0.4 4P	40	40/20	φ12	1/2	750	677	760	477	850	150	495	495	660	968	45	490
		9	677	760	477											850	500									
		12	779	862	579											850	510									
SGMD-300DB	3	6	8/2.7	6.7/2.2	5/1.7 4/12P	40	40/20	21/7	18/6	0.4/0.13 4/12P	40	40/20	φ12	1/2	750	677	760	477	850	150	495	495	660	968	45	500
		9	677	760	477											850	500									
		12	779	862	579											850	510									
SGH-300DB	3	6	8	6.7	5 4P	40	40/20	21	18	0.4 4P	40	40/20	φ10	2/4	750	729	812	529	850	150	495	495	635	940	45	520
		9	729	812	529											850	580									
		12	802	885	602											850	610									
SGHD-300DB	3	6	8/2.7	6.7/2.2	5/1.7 4/12P	40	40/20	21/7	18/6	0.4/0.13 4/12P	40	40/20	φ10	2/4	750	729	812	529	850	150	495	495	635	940	45	520
		9	729	812	529											850	580									
		12	802	885	602											850	610									
SGL-500DB	5	6	4.4	3.7	5 4P	40	40/20	21	18	0.75 4P	40	40/20	φ10	1/4	900	729	812	529	850	150	495	545	635	940	45	570
		9	729	812	529											850	590									
		12	802	885	602											850	630									
SGLD-500DB	5	6	4.4/1.5	3.7/1.2	5/1.7 4/12P	40	40/20	21/7	18/6	0.75/0.25 4/12P	40	40/20	φ10	1/4	900	729	812	529	850	150	495	545	635	940	45	570
		9	729	812	529											850	590									
		12	802	885	602											850	630									

1.R/F=Reeving/falling numbers.

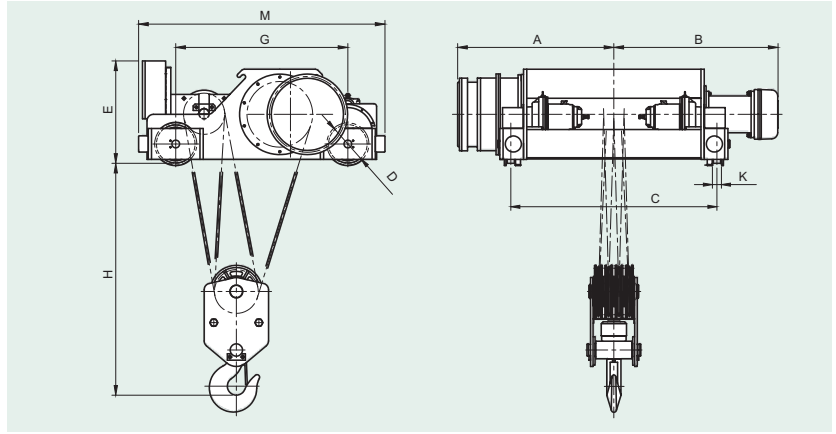
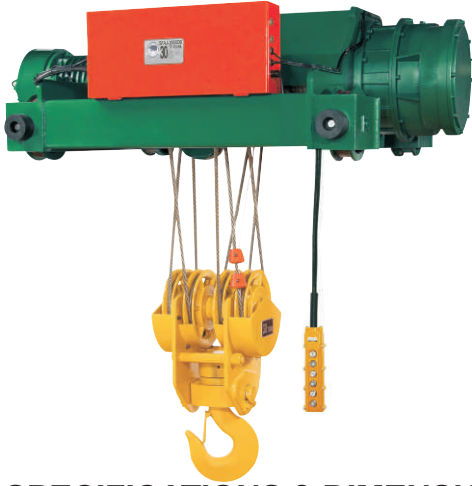
2.Dual speed model under green shadow.

4.Traversing motor standard supply, 50 Hz or 60Hz all used 4 pole, or please specify.

3.Traversing pinion 2 ton M3.5x15t, 3-5 ton, M3.5x23t.

5.Traversing motor: 2 ton used planetary reducing gear motor, 3-5 ton used reducing gear motor.

# SF SERIES

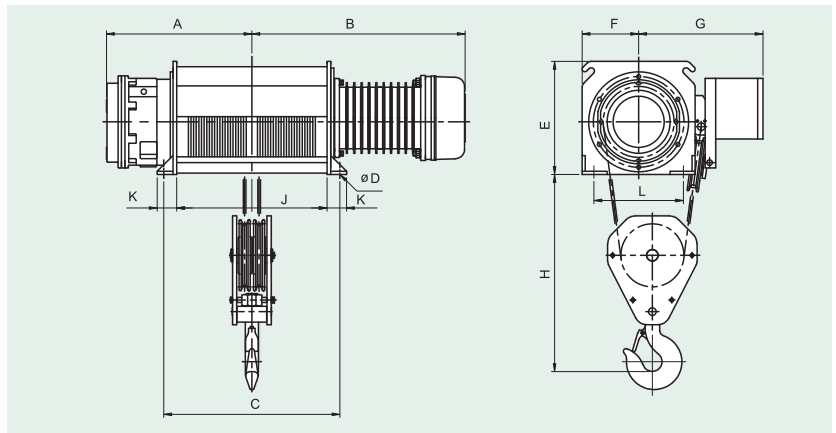


## SPECIFICATIONS & DIMENSIONS :

Model	Capacity (ton)	Lift (m)	Hoisting			Traversing			Wire Rope		Approximate Dimension (mm)										Approximate Weight (kg)				
			Speed(m/min) 60Hz 50Hz	Motor kw pole	ED % Single Dual	Speed(m/min) 60Hz 50Hz	Motor kw pole	ED % Single Dual	φmm R/F	H	A	B		C	D	E	G	K	M						
SFAH-1500DB	15	8	6.1	5.1	18.5 4P	40	40/20	18	15	1.5 4P	40	40/20	φ18	2/4	1600	1007	1069	1187	1150	200	725	1150	60	1475	215
SFAHD-1500DB		10	6.1/2.0	5.1/1.7	18.5/6.2 4/12P		18/6	15/5	1.5/0.5 4/12P	1093		1155	1273	1400	2500										
SFAJ-3000DB		8	3.0	2.5	18.5 4P		21	17.5	1.5X2 4P	1113		1175	1293	1400	2725										
SFAJD-3000DB	30	10	3.0/1.0	2.5/0.8	18.5/6.2 4/12P	40	40/20	21/7	17.5/5.8	1.5/0.5X2 4/12P	40	40/20	φ18	2/8	1800	1213	1275	1393	1600	300	795	1336	70	1912	2500
		12														1313	1375	1493	1800						2725

- 1.R/F=Reeving/falling numbers.
- 2.Dual speed model under green shadow.
- 3.Traversing pinion M4x18t.
- 4.Traversing motor standard supply, 50 Hz or 60Hz all used 4 pole, or please specify.
- 5.Traversing motor: used reducing gear motor.

# FP.FK.FG.FB SERIES

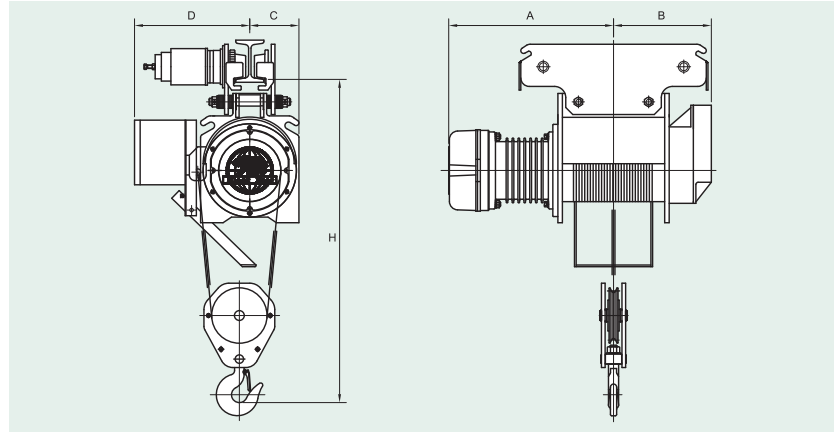


## SPECIFICATIONS & DIMENSIONS :

Model	Capacity (ton)	Lift (m)	Hoisting			Wire Rope		Approximate Dimension (mm)										Approximate Weight (kg)		
			Speed(m/min) 60Hz 50Hz	Motor kw pole	ED %	φmm R/F	H	A	B	C	D	E	F	G	J	K	L			
FPM-100DB	1	6	10.8	9	2.2 4P	40	φ8	1/2	650	314	540	467	φ16	310	150	475	373	72	280	205
		9								364	590	567					473			215
		12								414	640	667					573			225
		15								464	690	767					673			235
		6								348	587	466					372			319
FKM-200DB	2	6	8	6.7	3 4P	40	φ10	1/2	1150	401	639	571	φ16	390	232	420	477	72	260	339
		9								453	692	676					582			359
		12								506	745	781					687			379
		15								556	798	814					787			399
		6								422	661	614					520			359
FKH-200DB	2	6	8	6.7	3 4P	40	φ8	2/4	1150	509	748	788	φ16	390	232	433	694	72	260	399
		9								536	834	951					867			439
		12								582	921	1134					1040			479
		15								635	972	1235					1134			499
		6								435	635	482					384			330
FGM-300DB	3	6	8	6.7	5 4P	40	φ12	1/2	1250	477	676	565	φ16	430	185	430	464	74	280	350
		9								579	862	770					672			370
		12								634	917	880					782			390
		15								687	972	970					872			410
		6								450	689	670					572			350
FKL-300DB	3	6	4.4	3.7	3 4P	40	φ10	1/4	1250	523	761	815	φ16	360	235	443	717	74	250	390
		9								640	878	1049					951			430
		12								733	972	1235					1137			470
		15								802	1049	1235					1235			490
		6								529	729	670					572			330
FGH-300DB	3	6	8	6.7	5 4P	40	φ10	2/4	1250	602	802	815	φ16	430	185	443	717	74	280	365
		9								719	919	1049					951			395
		12								814	1014	1235					1141			425
		15								882	1097	1235					1235			445
		6								529	729	670					572			330
FGL-500DB	5	6	4.4	3.7	5 4P	40	φ10	1/4	1300	602	802	815	φ16	430	245	453	717	74	270	433
		9								719	919	1049					951			453
		12								805	1014	1235					1141			473
		15								882	1097	1235					1235			493
		6								553	812	670					572			483
FBH-500DB	5	6	7.3	6.1	7.5 4P	40	φ10	2/4	1300	603	862	770	φ16	440	215	483	672	74	350	523
		9								743	1002	1049					951			613
		12								838	1097	1239					1141			633
		15																		
		6								553	812	670					572			483

- 1.R/F=Reeving/falling numbers.

# TP.TK.TG SERIES



## SPECIFICATIONS & DIMENSIONS :

Model	Capacity (ton)	Lift (m)	Hoisting				Traversing				Wire Rope		Approximate Dimension (mm)							Approximate Weight (kg)				
			Speed (m/min) 60Hz	Speed (m/min) 50Hz	Motor kw pole	ED % Single Dual	Speed (m/min) 60Hz	Speed (m/min) 50Hz	Motor kw pole	ED % Single Dual	mm	R/F	H	A		B		C			D		Adjust for Std. I-Beam (mm)	
TPM-100DB	1	6	10.8	9	2.2 4P	40	40/20	24	20	0.25 4P	40	40/20	φ8	1/2	1150	540	581	314	245	245	380	380	75-125	246
		9	10.8/3.6	9/3	2.2/0.73 4/12P			24/8	20/6	0.25/0.08 4/12P						590	631	364						256
		12	8	6.7	3 4P			640	681	414						266								
TKM-200DB	2	6	8	6.7	3 4P	40	40/20	24	20	0.25 4P	40	40/20	φ10	1/2	1150	584	627	350	232	232	410	410	100-150	370
		9	8/2.7	6.7/2.2	3/1 4/12P			639	679	403						390								
		12	8/2.7	6.7/2.2	3/1 4/12P			692	732	455						410								
TKH-200DB	2	6	8	6.7	3 4P	40	40/20	24	20	0.25 4P	40	40/20	φ8	2/4	1150	661	701	422	232	232	433	433	100-150	400
		9	8/2.7	6.7/2.2	3/1 4/12P			746	788	503						420								
		12	8/2.7	6.7/2.2	3/1 4/12P			834	874	595						440								
TKLD-300DB	3	6	4.4	3.7	3 4P	40	40/20	18	15	0.6 4P	40	40/20	φ10	1/4	1200	689	729	518	235	235	443	443	125-175	410
		9	4.4/1.5	3.7/1.2	3/1 4/12P			18/6	15/5	0.6/0.2 4/12P						761	801	523						450
		12	8	6.7	5 4P			878	918	640						490								
TGM-300DB	3	6	8	6.7	5 4P	40	40/20	18	15	0.6 4P	40	40/20	φ12	1/2	1200	635	718	518	185	210	430	455	125-175	410
		9	8/2.7	6.7/2.2	5/1.7 4/12P			677	760	477						430								
		12	8/2.7	6.7/2.2	5/1.7 4/12P			779	862	579						450								
TGH-300DB	3	6	8	6.7	5 4P	40	40/20	18	15	0.6 4P	40	40/20	φ10	2/4	1200	729	812	529	185	210	443	468	125-175	390
		9	8/2.7	6.7/2.2	5/1.7 4/12P			802	885	602						425								
		12	4.4	3.7	5 4P			919	1002	719						455								
TGLD-500DB	5	6	4.4	3.7	5 4P	40	40/20	18	15	0.6 4P	40	40/20	φ10	1/4	1300	729	812	564	235	260	443	468	125-175	520
		9	4.4/1.5	3.7/1.2	5/1.7 4/12P			802	885	602						540								
		12	8/2.7	6.7/2.2	5/1.7 4/12P			919	1002	719						560								

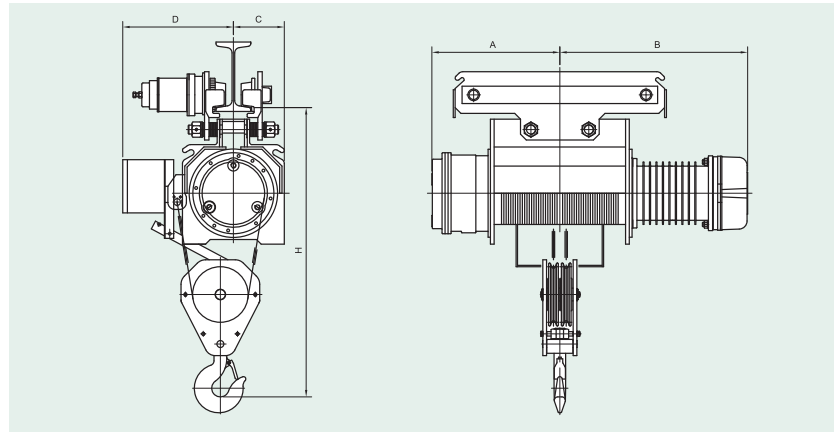
1.R/F=Reeving/falling numbers.

2.Dual speed model under green shadow.

3.Traversing pinion 2 ton M3.5x16t, 3-5 ton M3.5x12t.

4.Traversing motor standard supply, 50 Hz or 60Hz all used 4 pole, or please specify.

# TB SERIES



## SPECIFICATIONS & DIMENSIONS :

Model	Capacity (ton)	Lift (m)	Hoisting				Traversing				Wire Rope		Approximate Dimension (mm)							Adjust for Std. I-Beam (mm)	Approximate Weight (kg)			
			Speed (m/min) 60Hz	Speed (m/min) 50Hz	Motor kw pole	ED % Single Dual	Speed (m/min) 60Hz	Speed (m/min) 50Hz	Motor kw pole	ED % Single Dual	mm	R/F	H	A	B		C		D					
TBH-500DB	5	6	7.3	6.1	7.5 4P	40	40/20	18	15	0.6 4P	40	40/20	φ10	2/4	1250	553	812	815	220	255	488	513	125-175	590
		9	7.3/2.4	6.1/2.0	7.5/2.5 4/12P			18/6	15/5	0.6/0.2 4/12P						603	862	865						630
		12	7.3	6.1	11 4P			743	1002	1005						710								
TBHD-500DB	7.5	6	7.3	6.1	11 4P	40	40/20	20	17	1.1 4P	40	40/20	φ14	2/4	1860	608	867	929	240	240	612	612	150-200	990
		9	7.3/2.4	6.1/2.0	11/3.7 4/12P			743	1002	1064						1020								
		12	7.3/2.4	6.1/2.0	11/3.7 4/12P			833	1092	1075						1060								
TBL-1000DB	10	6	5.0	4.2	11 4P	40	40/20	18	15	1.1 4P	40	40/20	φ16	1/4	2260	605	849	911	340	340	609	609	150-200	990
		9	5.0/1.7	4.2/1.4	11/3.7 4/12P			673	917	979						1020								
		12	5.0/1.7	4.2/1.4	11/3.7 4/12P			773	1017	1079						1060								

1.R/F=Reeving/falling numbers.

2.Dual speed model under green shadow.

3.Traversing pinion 5 ton M3.5x12t, 7.5 ton M3.5x20t, 10 ton M3.5x23t.

4.Traversing motor standard supply, 50 Hz or 60Hz all used 4 pole, or please specify.

5.Traversing gear: 5 ton used planetary reducing gear motor, 7-10 ton used reducing gear motor.

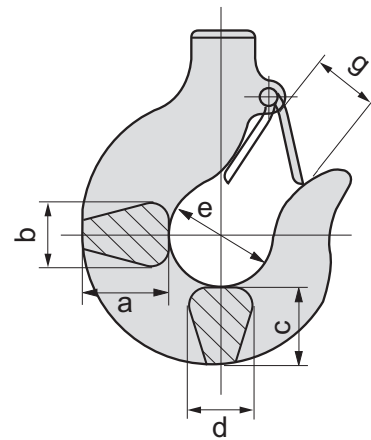
# PRODUCT GUIDE

Capacity (ton)	Monorail High Speed	Crab High Speed	Footmount High Speed	Monorail Low Speed	Crab Low Speed	Footmount Low Speed	Dual Speed
1	TPM-100DB		FPM-100DB				TPMD-100DB
2	TKM-200DB	SKM-200DB	FKM-200DB				TKMD-200DB SKMD-200DB
2	TKH-200DB	SKH-200DB	FKH-200DB				TKHD-200DB SKHD-200DB
3	TGM-300DB	SGM-300DB	FGM-300DB				TGMD-300DB SGMD-300DB TKLD-300DB SKLD-300DB
3	TGH-300DB	SGH-300DB	FGH-300DB	TKL-300DB	SKL-300DB	FKL-300DB	TGMD-300DB SGMD-300DB TKLD-300DB SKLD-300DB TGHD-300DB SGHD-300DB
5	TBH-500DB	SBH-500DB	FBH-500DB	TGL-500DB	SGL-500DB	FGL-500DB	TBHD-500DB SBHD-500DB TGLD-500DB SGLD-500DB
7.5	TBH-750DB	SBH-750DB					TBHD-750DB SBHD-750DB
10		SCAH-1000DB		TBL-1000DB	SBL-1000DB		SCAHD-1000DB SBLD-1000DB TBLD-1000DB
15		SFAH-1500DB			SEAL-1500DB		SEALD-1500DB SFAHD-1500DB
20					SCAL-2000DB		SCALD-2000DB
30					SFAJ-3000DB		SFAJD-3000DB

## WIRE ROPE



## HOOK



Rope Dia (mm) $\phi$	Model Being Used	Construction	Specified Breaking Load (kg)
$\phi 8$	TPM-100DB TKH-200DB SKH-200DB FPM-100DB FKH-200DB	Steel Wire Rope	3470
$\phi 10$	TKM-200DB TKL-300DB TGH-300DB SKM-200DB SKL-300DB SGH-300DB FKM-200DB FKL-300DB FGH-300DB	6x37-A	5420
	TGL-500DB FGL-500DB SBH-500DB SGL-500DB TBH-500DB FBH-500DB	Steel Wire Rope	6900
$\phi 12$	TGM-300DB SGM-300DB FGM-300DB	IWRC 6XF(29)-B	9940
$\phi 14$	TBH-750DB SBH-750DB	Steel Wire Rope	10600
$\phi 16$	TBL-1000DB SBL-1000DB SCAH-1000DB	6x37-A	13900
$\phi 18$	SFAH-1500DB SFAJ-3000DB	Steel Wire Rope	22400
$\phi 20$	SEAL-1500DB SCAL-2000DB	IWRC 6XF(29)-B	27600

Capacity (ton)	Dimensions (mm)						Pull Stress (kg/cm) <sup>2</sup>
	a	b	c	d	e	g	
1	39	26	39	26	39	27	7000
2	45	31	41	31	45	36	7000
3	57	38	52	38	60	43	7000
5	75	48	68	48	75	56	7000
7.5	85	62	77	62	85	62	7000
10	100	67	95	62	100	65	7000
15	120	87	110	85	120	82	7000
20	140	100	130	95	140	95	7000
30	140	108	130	103	140	95	10000



### POWER SUPPLY :

- ▲ The "Black Bear" electric wire rope hoist suits majority of the 3-Phase power in different countries, available in 50Hz or 60Hz, voltage from 220V up to 600V.
- ▲ Dual-volt hoist subject to our confirmation.

### PUSH BUTTON SWITCH :

- ▲ 2-point type : up and down.
- ▲ 4-point type : up and down ; left and right (trolley).
- ▲ 6-point type : up and down ; left and right ; forward and reverse (end carrier)

### LIFTING HEIGHT :

- ▲ Standard lifting height : Please refer to specifications.
- ▲ Optional height available upon request.

# FEDERATION EUROPEENNE DE LA MANUTENTION

Load spectrum	Cubic mean value Definitions	Average operating time per day in hours							
		0.25-0.5	0.5-1	1-2	2-4	4-8	8-16	> 16	
1 (light)	$(k \leq 0.50)$ Mechanisms or parts thereof, usually subject to very small loads and in exceptional cases only to maximum loads.	0.25-0.5	0.5-1	1-2	2-4	4-8	8-16	> 16	
2 (medium)	$(0.50 < k \leq 0.63)$ Mechanisms or parts thereof, usually subject to small loads but rather often to maximum loads.	0.12-0.25	0.25-0.5	0.5-1	1-2	2-4	4-8	8-16	> 16
3 (heavy)	$(0.63 < k \leq 0.80)$ Mechanisms or parts thereof, usually subject to medium loads but frequently to maximum loads.	$\leq 0.12$	0.12-0.25	0.25-0.5	0.5-1	1-2	2-4	4-8	8-16
4 (very heavy)	$(0.80 < k \leq 1)$ Mechanisms or parts thereof, usually subject to maximum or almost to maximum loads.		$\leq 0.12$	0.12-0.25	0.25-0.5	0.5-1	1-2	2-4	4-8
Classification of Mechanisms FEM 9.511		1 Dm	1 Cm	1 Bm	1 Am	2 m	3 m	4 m	5 m

## ISO/FEM (9.511)

### Classification of mechanisms:

1 Dm	1 Cm	1 Bm	1 Am	2 m	3 m	4 m	5 m
M 1	M 2	M 3	M 4	M 5	M 6	M 7	M 8

### Class of operating time:

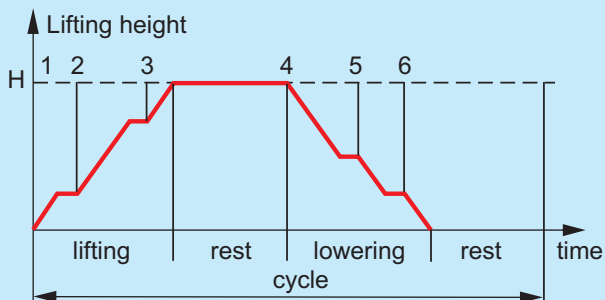
Class of operation time	Average operating time per day (in hours)	Calculated total operating time in hours
V0.06   T0	$\leq 0.12$	200
V0.12   T1	$\leq 0.25$	400
V0.25   T2	$\leq 0.5$	800
V0.5   T3	$\leq 1$	1600
V1   T4	$\leq 2$	3200
V2   T5	$\leq 4$	6300
V3   T6	$\leq 8$	12500
V4   T7	$\leq 16$	25000
V5   T8	$> 16$	50000

### Classification of mechanisms into groups:

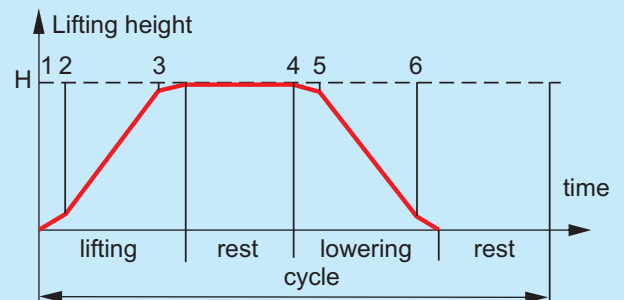
Load spectrum	Cubic mean value	Class of operation time									
		V0.06	V0.12	V0.25	V0.5	V1	V2	V3	V4	V5	
		T0	T1	T2	T3	T4	T5	T6	T7	T8	
		Average operating time per day in hours									
		$\leq 0.12$	$\leq 0.25$	$\leq 0.5$	$\leq 1$	$\leq 2$	$\leq 4$	$\leq 8$	$\leq 16$	$> 16$	
1	L1	$k \leq 0.50$			1 Dm	1 Cm	1 Bm	1 Am	2 m	3 m	4 m
2	L2	$0.50 < k \leq 0.63$		1 Dm	1 Cm	1 Bm	1 Am	2 m	3 m	4 m	5 m
3	L3	$0.63 < k \leq 0.80$	1 Dm	1 Cm	1 Bm	1 Am	2 m	3 m	4 m	5 m	
4	L4	$0.80 < k \leq 1.00$	1 Cm	1 Bm	1 Am	2 m	3 m	4 m	5 m		

## OPERATION CYCLE

### Hoist with one speed



### Hoist with two speed





FAITH PRACTICALITY EFFICIENCY



## GRAND ASIA MACHINERY INDUSTRY(KUNSHAN) CO., LTD.

No.4 Jin Yang Rd, eastern industry Zone, Kanshan City Jiangsu Province, China

Tel: +86-512-57672666~9 Fax: +86-512-57672999

Website: [www.grandasia.cn](http://www.grandasia.cn)

E-mail: [enquiry@grandasia.cn](mailto:enquiry@grandasia.cn)

- Revision of September, 2011 (Edition No.6) #950168
- No further notice while sizes and dimensions update ; Quotations are based on practical dimensions.
- Due to the printing factors, the color of the products is subject to minor deviation from the physical objects.