



# WINDMILL HOIST



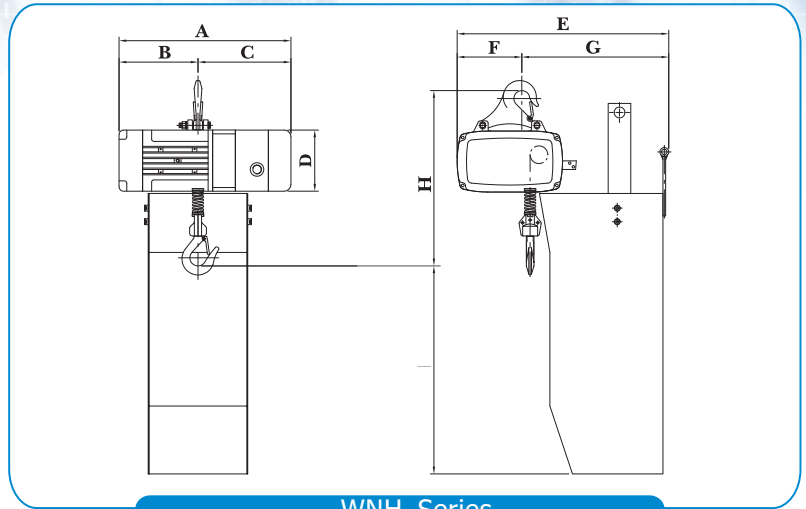
- 10 pocket and 45 degrees chain wheel for chain smooth operation.

GRAND ASIA MACHINERY INDUSTRY(KUNSHAN) CO., LTD.





※The actual dimension of chain bucket is different from subject, the picture is only for reference.

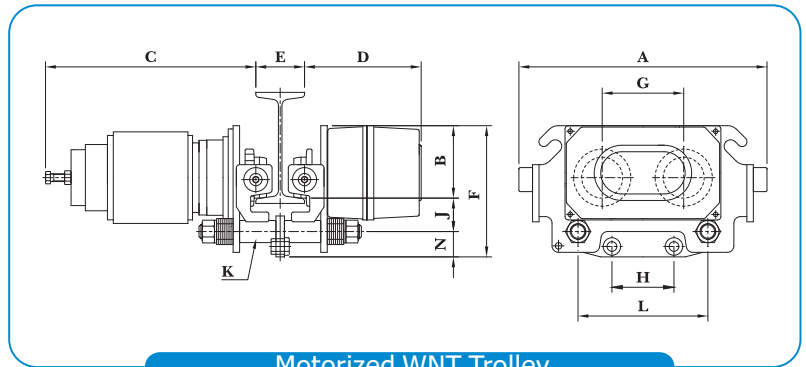
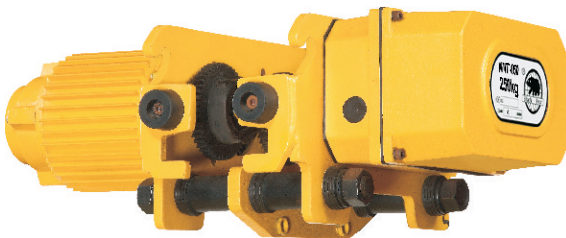


WNH Series

Model	S.W.L. (kg)	Lift (m)	Dimension (mm)									Load Chain Dia X Pitch (mm)	Hoisting				E.D. Rating (%)	Load Chain Fall No.	N.W. / G.W. (kg)
			A	B	C	D	E	F	G	H	I		Speed (m/min)		Motor Power (kw) (Pole)				
													50Hz	60Hz	50Hz	60Hz			
WNH-012	125	80	380	175	205	135	472	143	329	376	460	φ4.0 x12.0	20	20	0.6x2P	0.6x2P	40	1	58/60
WNH-025	250	80	468	221	247	156	534	186	353	485	701	φ6.3 x19.1	20	20	1.6x2P	1.6x2P	40	1	111/113
WNH-050	500	80	488	240	248	170	554	188	366	520	710	φ7.1 x20.2	20	20	2.5x2P	2.5x2P	40	1	145/148
WNH-100	1000	80	488	240	248	170	624	188	436	520	750	φ8.0 x24.0	10	10	2.5x2P	2.5x2P	40	1	145/148

※Operates on single voltage between 220V~600V, 3 ph

※48V control voltage for operator safety.



Motorized WNT Trolley

Model	Dimension (mm)												Speed (m/min)		Motor Power (kw) (Pole)	N.W. (kg)	Min radius of curve (m)
	A	B	C	D	E	F	G	H	L	J	N	K	50Hz	60Hz			
WNT-012	382	111.5	324	180	75-125	204	125.5	120	200	51.5	41	7/8"-9UNC (φ22.2)	20	24	0.12x2P	45	1.3
WNT-025	382	111.5	324	180	75-125	202	125.5	95.5	200	51.5	39	7/8"-9UNC (φ22.2)	20	24	0.12x2P	45	1.3
WNT-050	382	111.5	324	180	75-125	202	125.5	120	200	51.5	39	7/8"-9UNC (φ22.2)	20	24	0.18x2P	45	1.3
WNT-100	382	111.5	324	180	75-125	202	125.5	120	200	51.5	39	7/8"-9UNC (φ22.2)	20	24	0.18x2P	45	1.3

※Different flange with options available on request. Maximun:300mm



**GRAND ASIA MACHINERY INDUSTRY(KUNSHAN) CO., LTD.**

No.4 Jin Yang Rd, Eastern Industry Zone, Kanshan City Jiangsu Province, China

Tel: +86-512-57672666~9 Fax: +86-512-57672999

Website: [www.grandasia.cn](http://www.grandasia.cn)

E-mail: [enquiry@grandasia.cn](mailto:enquiry@grandasia.cn)

- Revision of September, 2011 (Edition No.3 ) #950199
- No further notice while sizes and dimensions update ; Quotations are based on practical dimensions.
- Due to the printing factors, the color of the products is subject to minor deviation from the physical objects.